

Declaration CE of conformity

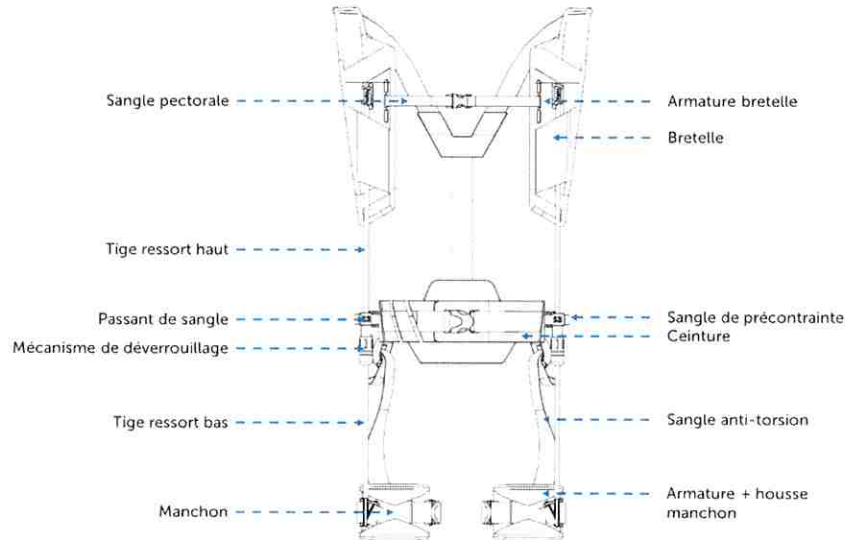
Manufacturer :

Ergosanté Technologie
28 ZA de Labahou, 30140 Anduze
France

Documentation Officer :

Samuel Corgne
Gérant

Description and identification of the machine :



Generic name :

Physical assistance device

Function :

Static and dynamic postural assistance.

Model :

Hapo.2

Declares that the machine satisfies all the relevant provisions of the following EC Directive and the national regulations implementing it :

2006/42/CE

DIRECTIVE 2006/42/CE From the European Parliament and the council dated 17 of May 2006 on machinery and amending Directive 95/16/EC

Done at Anduze

Name and function of the signatory :

On 04/07/2022

Samuel Corgne, Director

Signature :